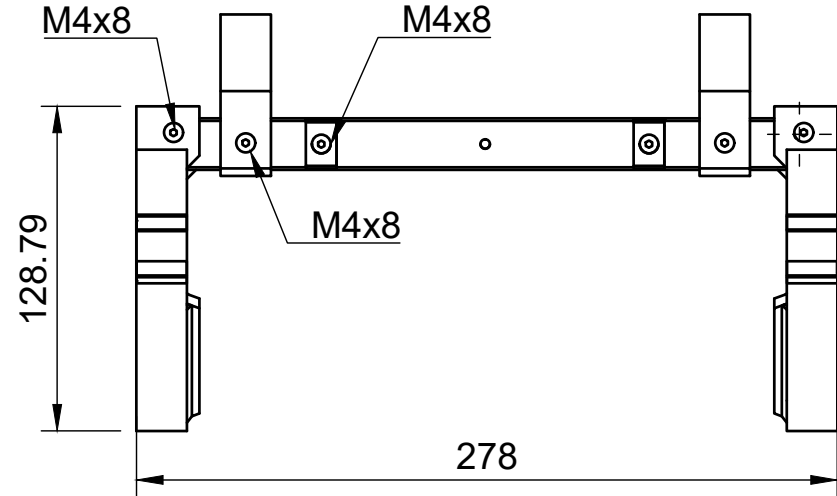
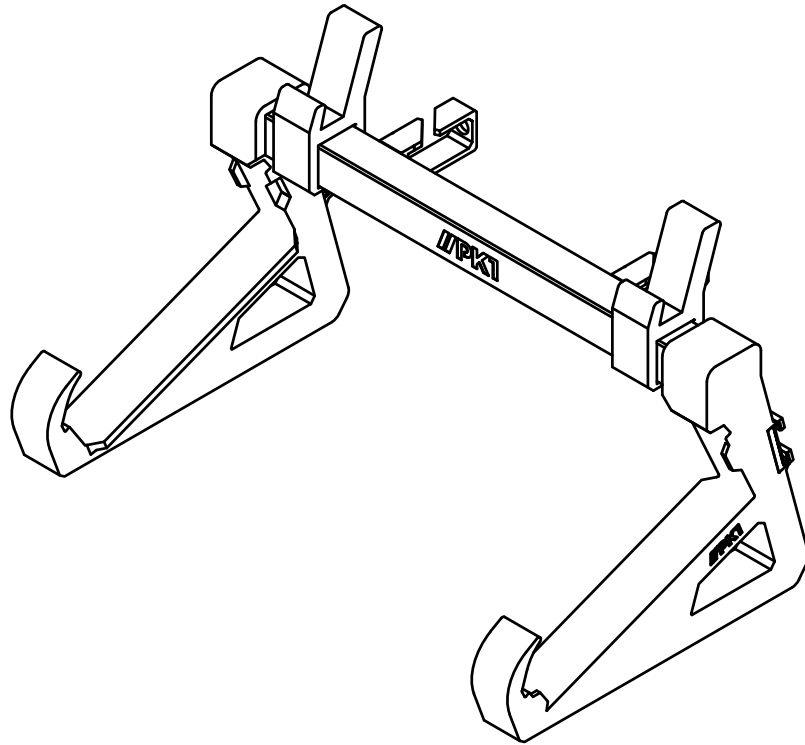


# PK1 OD A3D Stand for OSEE ISO8 Switcher



BOM List				
M4x8	7		Rub feet	4

### Notes


#### Fasteners:

You can use M4x8mm or longer bolts. They will thread the plastic so no need for nuts

#### Filament:

Use strong filament such as: PLA, PETG

**The product is intended for DESKTOP USE (Interior) ONLY**

Dept. <b>DESIGN</b>	Technical reference <b>PK1 OD</b>	Created by <b>LL</b>	Date <b>3/30/2026</b>		Approved by
		Document type <b>Assembly</b>	Document status <b>FINAL</b>		
		Title <b>PK1 OD A3D</b>	DWG No. <b>1</b>		
		Rev.	Date of issue <b>30 MAR 2026</b>	Sheet <b>1/1</b>	