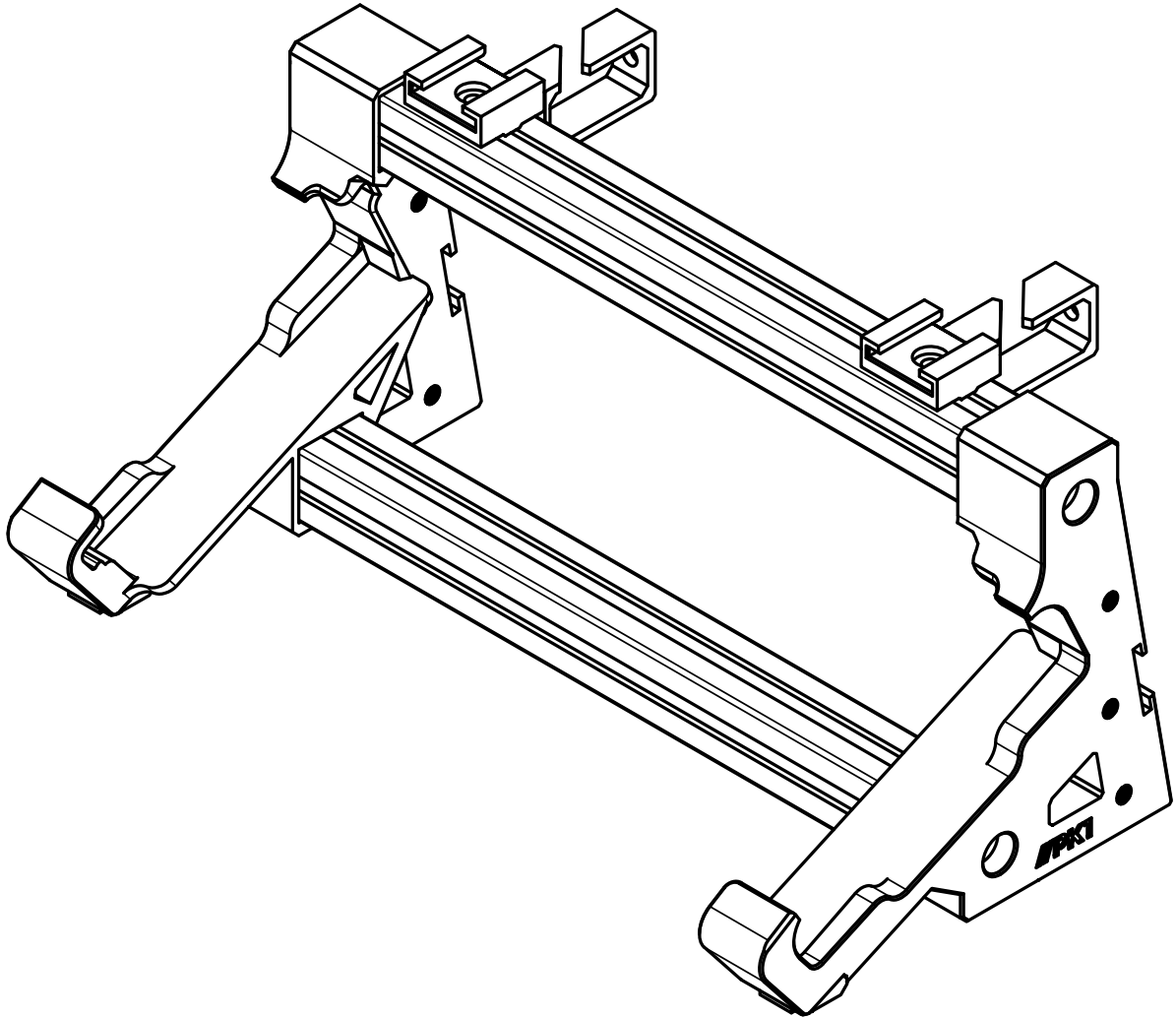


# //PK1 PRO Streamer AM

Stand for the ATEM Mini / Pro / ISO

## Assembly Instructions



Parts of this product were produced with an additive manufacturing process. Minor surface imperfections do not affect the overall product functionality.

INUX Cloud s.r.o.  
Galvaniho 12B  
Bratislava 82104  
Slovakia

<https://shop.inux3d.com>  
[sales@inux3d.com](mailto:sales@inux3d.com)

**INUX3D**<sup>®</sup>  
ADDITIVE MANUFACTURING

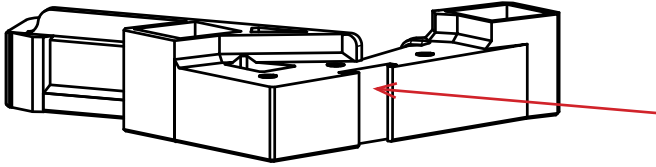


Biodegradable according  
to DIN EN ISO 14855

MADE IN EU

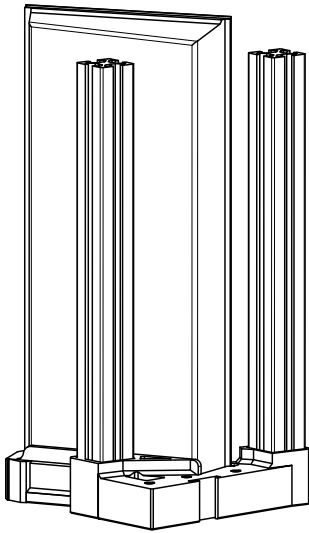
# PK1 PRO STREAMER AM

## Assembly Instructions Page 2 of 5



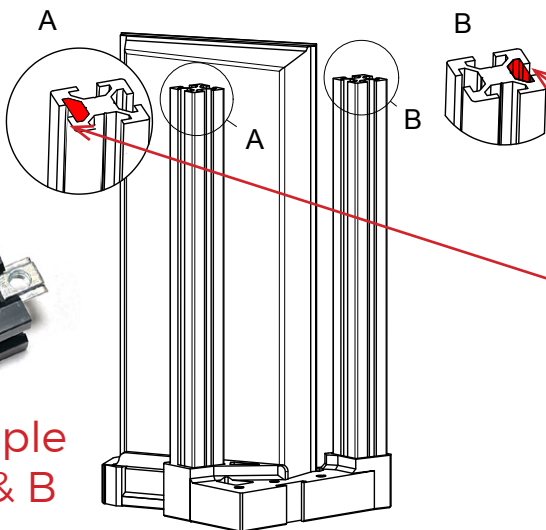
Begin by placing the left side of the Mini Stand smooth side down with the cold shoe facing you

You are looking at the left rear of the Mini Stand



Place your ATEM Mini into the side of the stand so that the screen is facing away from you

Insert the 2 aluminium bars into the corresponding spaces in the side of the Mini Stand



**Important:**

Slide 2x M4 slide in T-Nuts for the 2 cold shoes here - B

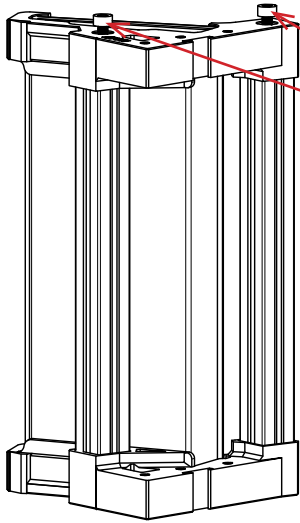
If you are using the **OPTIONAL Cheesebar**, slide 2x M5 sliding T-Nuts for the CheeseBar tripod mount here - A

Example of A & B

\* Please note that your kit comes with extra M4 and M5 nuts and bolts so you can attach other accessories you may already have

# PK1 PRO STREAMER AM

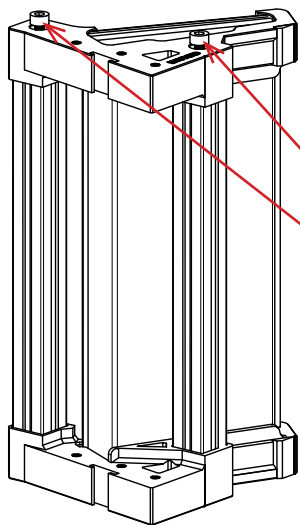
## Assembly Instructions Page 3 of 5



Place the right side of the Mini Stand over the top of the ATEM Mini and the 2 aluminium bars

Drop in two of the supplied M5x25 mm bolts into the holes to affix the right side of the Mini Stand onto the aluminium bars

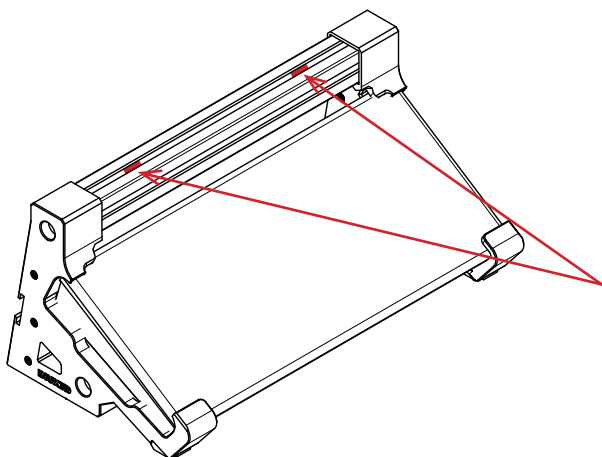
These only need to be lightly tightened. You will damage the plastic sides if you tighten with force



Place your hand underneath the entire assembly and squeeze the Left and Right sides together

Flip the entire Mini Stand over so the left side is now on top

Drop in 2 more M5x25 mm bolts into the holes and lightly tighten

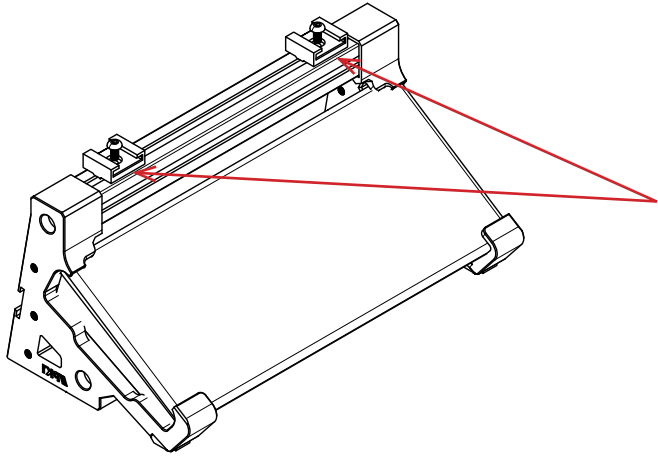


Position the Mini Stand as shown and note the 2x M4 slide in nuts you dropped in earlier

We will be attaching the top cold shoe mounts to these two T-nuts

# PK1 PRO STREAMER AM

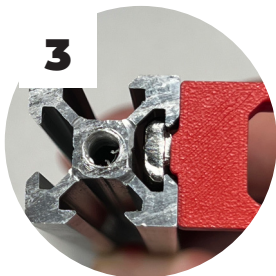
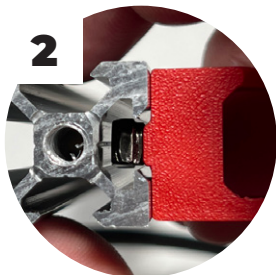
## Assembly Instructions Page 4 of 5



Place each cold shoe on top of the Mini Stand and **very loosely tighten** the 2x M4x8 bolts into the T-nuts

Now that you have both bolts attached, slide the cold shoes into their desired position

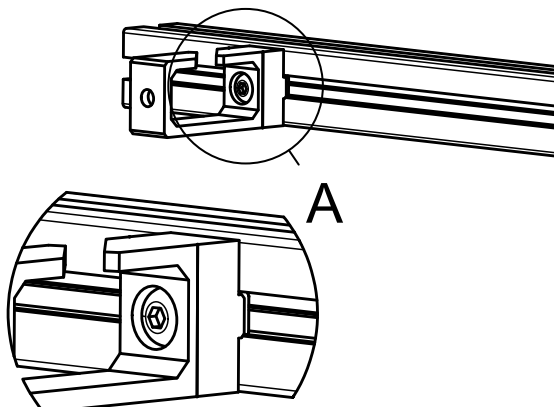
**You may now tighten the bolts**



Attaching the cable managers requires the use of an M4x8mm bolt through the cable manager and into an M4 drop in nut.

Note that the nut fits into the slot of the aluminium bar

1. Place the bolt through the cable manager hole and very loosely into the drop in nut
2. Position the drop in nut so that it fits into the slot of the bar
3. Tighten the bolt so the drop in nut turns and locks into place at the position you require



This is simply a zoomed in view of how a cable manager assembly should look once attached

# PK1 PRO STREAMER AM

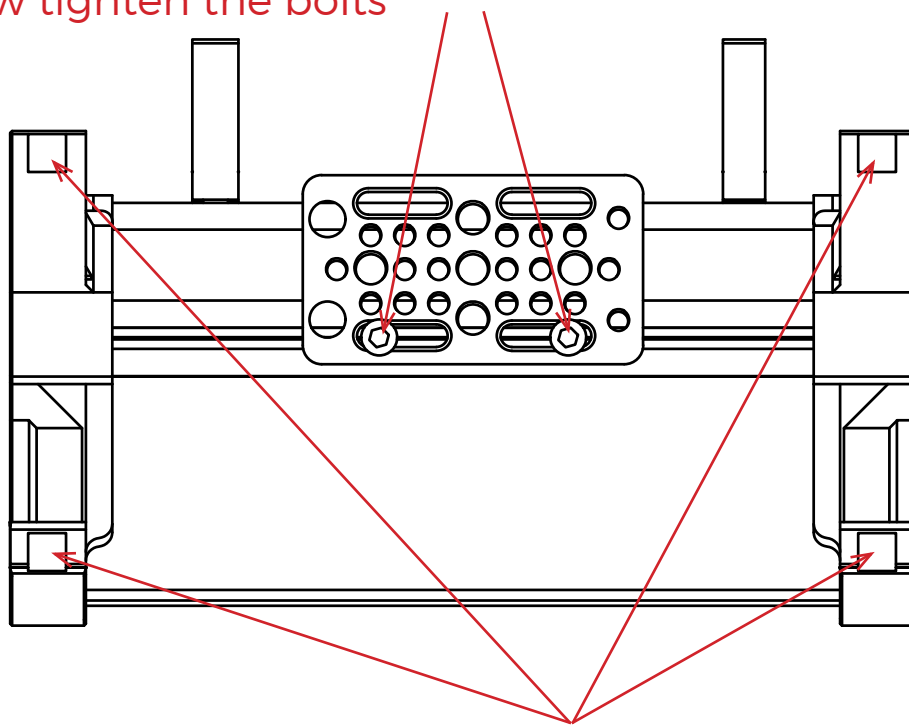
## Assembly Instructions Page 5 of 5

We will now flip the Mini Stand so the bottom is facing upwards and the wire managers are pointing away from us

If you are attaching the **OPTIONAL cheesebar**, you will **lightly attach** the cheesebar to the slide in T-nuts with 2 M5x8mm bolts. The majority of the cheesebar will be toward the rear

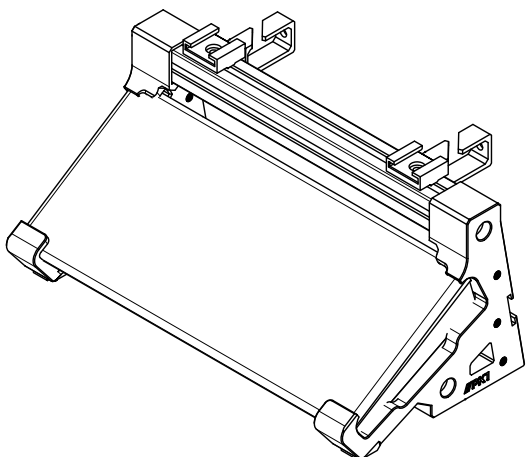
Once both bolts are attached to the nuts, slide the cheesebar along the aluminium bar so that it is centred along it's length

You may now tighten the bolts



If you have attached the **OPTIONAL cheesebar**, you can mount it onto a 1/4-20 or 3/8 tripod or similar mount

The last step is to add the rubber feet in the event you wish to move your stand from the tripod to a desktop position



Congratulations on completing the assembly of your PK1 Pro STREAMER AM